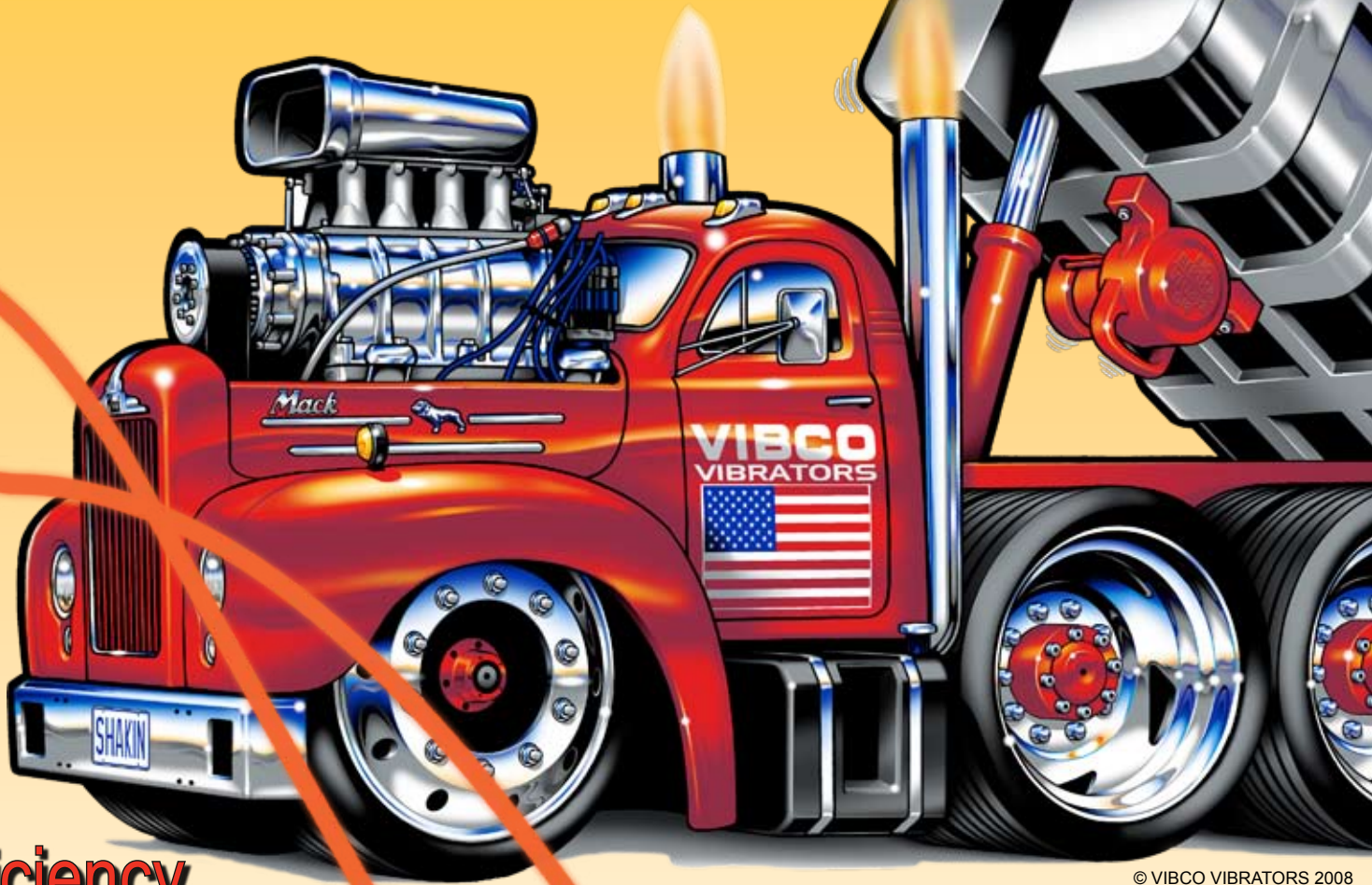


# BIG BERTHA™

## DUMPBODY VIBRATORS



© VIBCO VIBRATORS 2008

Efficiency  
Solutions for Your  
Dumpbody or  
Trailer

We're The **TRUCK**  
Vibrator Guys!

# VIBCO

[www.dumpbodyvibrators.com](http://www.dumpbodyvibrators.com)  
1-800-633-0032

# DON'T LEAVE YOUR PROFITS STUCK IN THE TRUCK!

# ROCK IT WITH **BIG BERTHA**



## Using a vibrator on your truck is a good idea:

- Get that last 1/4 yard out every time and increase your daily payload and profits.
- Shake even the toughest materials out - like hot asphalt, clay, fertilizer, dredging material, bottom ash or wet loam - from every corner.
- Reduce risk of roll-overs by dumping at lower angles through vibration. (Expand your business with the ability to work in height restricted job sites.)
- Reduce work related accidents & insurance premiums - no crew members climbing up into the body to shovel out material. (Slip and fall risk)
- Keep equipment maintenance & replacement costs under control - no more slamming your brakes, banging your tailgate, or jerking your hoists to get the material out. (or dragging material out with excavator or back hoe)
- Eliminate cross contamination of materials in your loads- no more fill mixed with clean stone and no more inspection fines!
- Minimize fuel costs by reducing idling time – less material left in the truck means faster clean out time between loads. Less time dumping, more time running loads. Up to 3 loads extra per day.

## **BIG BERTHA**

Big Bertha has the power to shake just about anything out of your dump body - concrete, fly ash, asphalt, mud, clay, loam, sand, salt, bottom ash, snow . . .

## Choosing VIBCO Vibrators is an even better idea:

- Big Bertha kits are equipped with everything you need to wire and mount them, including a circuit breaker for added protection and longer service life, all at no extra charge.
- Vibco offers 24 hour Technical support to assist in installation or troubleshoot a problem in the field
- Big Bertha has larger brushes which provides longer service, longer life and more power - out lasts and out performs the competitors 2 to 1.
- Big Bertha's fully enclosed housing keeps out road salt, dirt and water splash and we offer a Big Bertha Bonnet for added protection during pressure washing.
- Big Bertha has heavier eccentric weights which add more force and are fully field adjustable to many force settings.
- Vibco offers same day shipment on Big Bertha and our other products. No waiting, we have them when you want them.
- Big Bertha will cost you less than one new truck tire and the fraction of the cost of a bed liner - and lasts longer.
- Vibco has an extensive dealer network so you can purchase from local suppliers

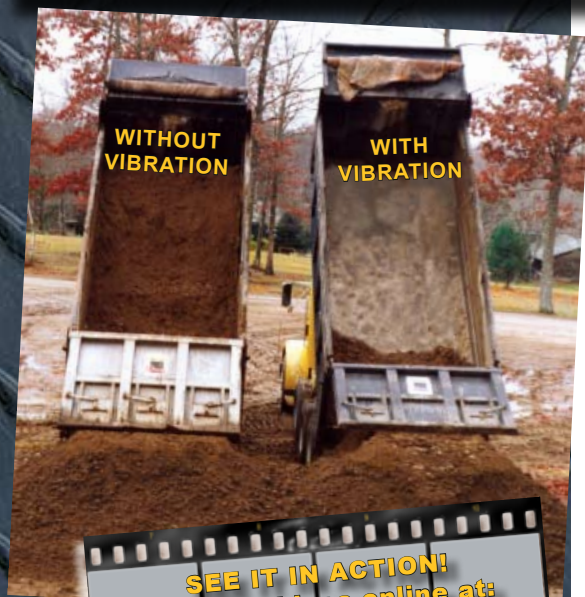


## **Hitchcock Fertilizer, Connecticut**

"We had always had issues with getting the dregs of loads out of our tank truck - our product tends to stick a lot. Then we found out about VIBCO and the Big Bertha vibrator. It is amazing how much faster our dumps go now and the clean out time isn't anywhere near as bad anymore!"

### **HC Trucking, Rhode Island**

"Hauling hot asphalt in an aluminum body is tricky - and sticky - business. Without using our VIBCO vibrator, we'd be leaving a lot of product in the body at each dump site. And that means lost revenue. With the cost of doing business these days, we are very happy to have a Big Bertha installed on our entire fleet."



SEE IT IN ACTION!  
See our videos online at:  
[www.vibco.com/videos](http://www.vibco.com/videos)

**Call Us Today**  
**1-800-633-0032**

**Dump faster so you can get back to load up again . . . and again . . . and make more money.**

# VIBCO'S BERTHA TRUCK VIBRATORS

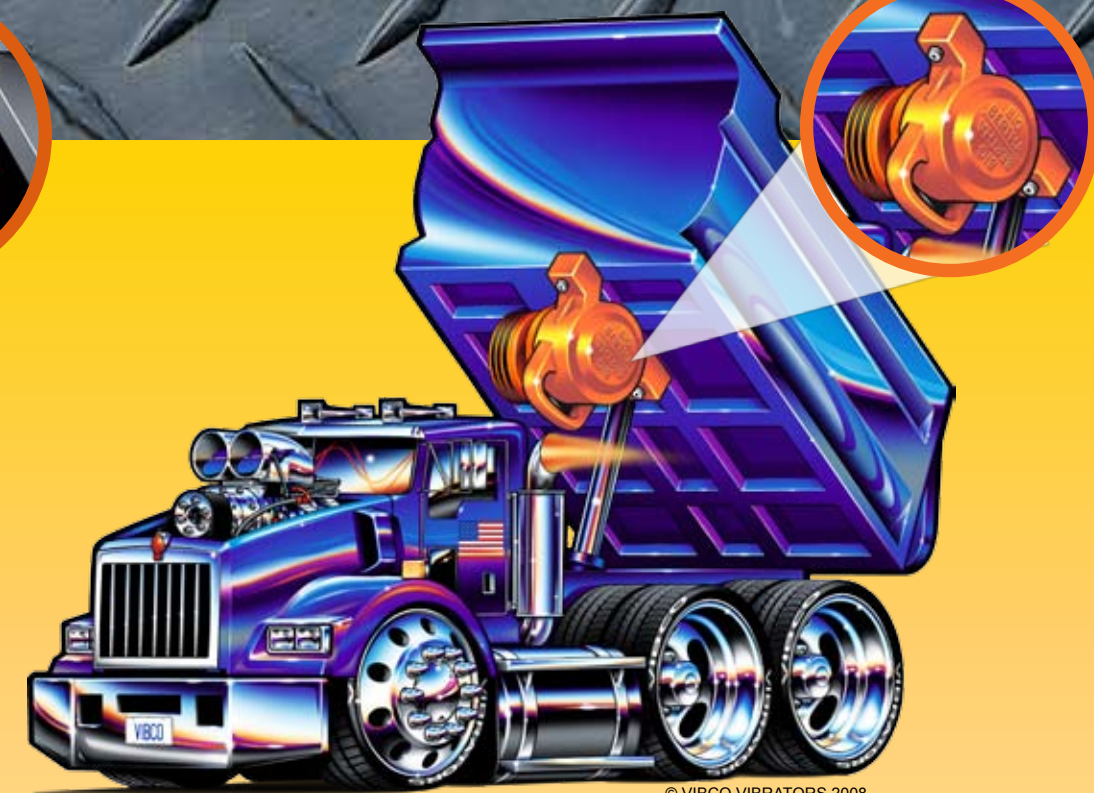
**NO LONG LEAD TIMES! SHIPS SAME DAY!**



© VIBCO VIBRATORS 2008



© VIBCO VIBRATORS 2008

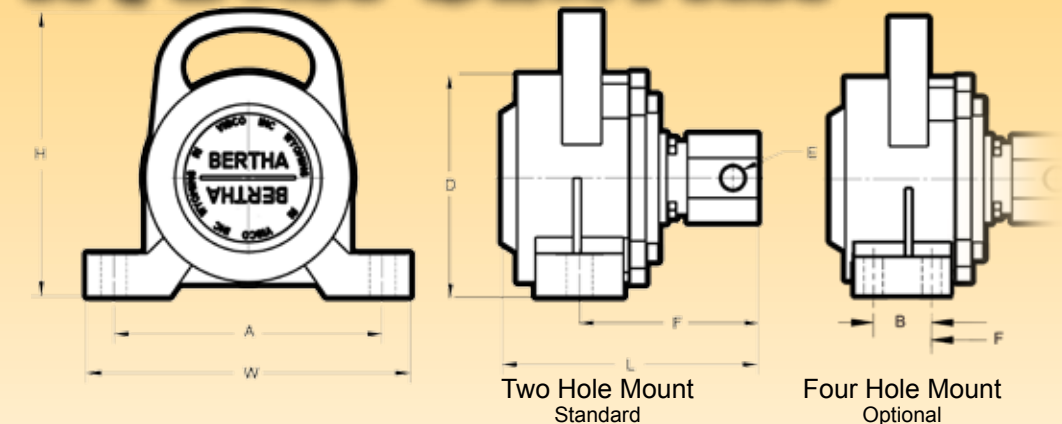
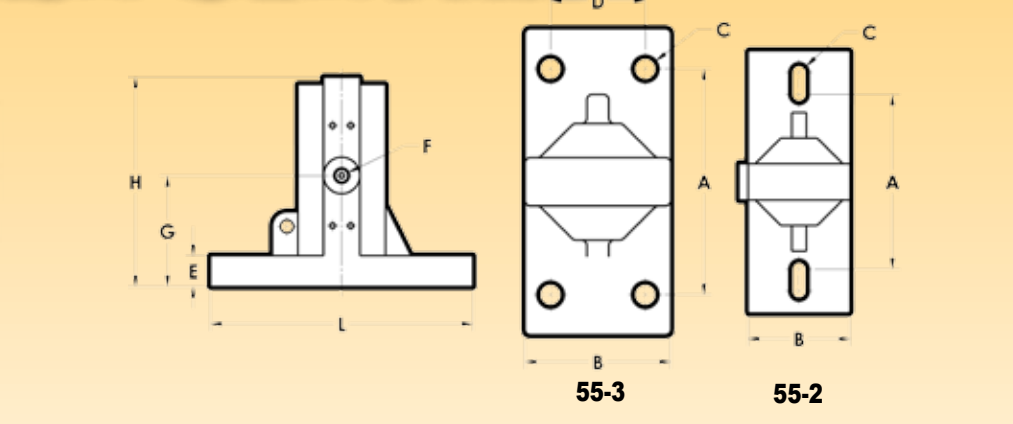
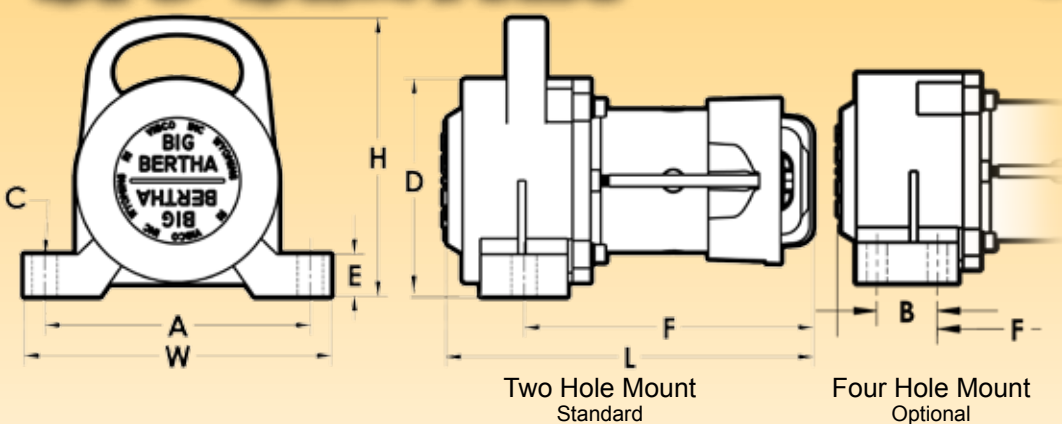


© VIBCO VIBRATORS 2008

## BIG BERTHA™ 12V DC ELECTRIC VIBRATOR

## AIR BERTHA™ PNEUMATIC PISTON VIBRATOR

## HYDRA BERTHA™ HYDRAULIC VIBRATOR



BIG BERTHA DIMENSIONAL DATA	A Bolt Hole Spacing		B Bolt Hole Spacing 2 (4 bolt only)		C Bolt Size		D Housing Height (w/o handle)		E Foot Height		F Foot Hole Center		L Length		W Width		H Height	
	Inch	mm	Inch	mm	Inch	mm	Inch	mm	Inch	mm	Inch	mm	Inch	mm	Inch	mm	Inch	mm
Model DC-3500	8 1/2	216	--	--	3/4	19	7 1/8	181	1 3/8	35	9 1/2	241	12	305	10	254	9	229
Model DC4-3500	8 1/2	216	2	51	3/4	19	7 1/8	181	1 3/8	35	8 1/2	216	12	305	10	254	9	229

AIR BERTHA DIMENSIONAL DATA	A Bolt Hole Spacing		B Foot Width		C Bolt Size		D Foot Hole Center		E Foot Height		F Air Inlet		G Air Inlet Height		H Height	
	Inch	mm	Inch	mm	Inch	mm	Inch	mm	Inch	mm	Inch	mm	Inch	mm	Inch	mm
Model 55-2	7 1/2	191	3 13/16	97	5/8	16	slotted	1 1/8	29	1/4-NPT	9	229	7 1/4	184		
Model 55-3	7 3/4	197	5	127	7/8	22	3 1/4	83	1 1/8	29	3/8-NPT	10 1/2	267	9 7/16	240	

HYDRA BERTHA DIMENSIONAL DATA	A Bolt Hole Spacing		B Bolt Hole Spacing 2 (4 bolt only)		C Bolt Size		D Housing Height (w/o handle)		E Inlet/Outlet Port		F Foot Hole Center		L Length		W Width		H Height	
	Inch	mm	Inch	mm	Inch	mm	Inch	mm	Inch	mm	Inch	mm	Inch	mm	Inch	mm	Inch	mm
Models HLF-1750 & HLF-3500	8 1/2	216	--	--	3/4	19	7 1/8	181	3/4 - 16 SAE	6 1/8	156	8 9/16	217	10 1/4	260	9	229	
Models HLF4-1750 & HLF4-3500	8 1/2	216	2	51	3/4	19	7 1/8	181	3/4 - 16 SAE	5 1/8	130	8 9/16	217	10 1/4	260	9	229	

BIG BERTHA TECH DATA	Adjustable Force Impact		Voltage	Amps	Speed VPM	Weight		dB*	DUTY CYCLE
	lbs.	N+				lbs.	kg.		
Model DC-3500	1500 - 3500	6670 - 15568	12 & 24 DC	60	4000	36	16.3	70	INTERMITTENT

AIR BERTHA TECH DATA	Force Impact		PSI (max 110)	CFM	Speed VPM	Weight		dB*	DUTY CYCLE
	lbs.	N+				lbs.	kg.		
Model 55-2	800	3560	80	15	5000	21	9.5	99	CONTINUOUS
Model 55-3	1500	6675	80	30	3800	44	20.0	104	CONTINUOUS

HYDRA BERTHA TECH DATA	Force Impact		PSI	GPM	Speed VPM	Weight		dB*	DUTY CYCLE
	lbs.	N+				lbs.	kg.		
Model HLF-1750	1750	7750	800	2.5	4000	32	15.0	70	CONTINUOUS
Model HLF-3500	3500	15500	1200	2.5	4000	35	16.0	70	CONTINUOUS

+N = Centrifugal force in Newtons

\*Decibel on A-scale at 3' (1 meter)

+N = Centrifugal force in Newtons

\*Decibel on A-scale at 3' (1 meter)

+N = Centrifugal force in Newtons

\*Decibel on A-scale at 3' (1 meter)

**Like these graphics? Get limited edition VIBCO tee shirts, temporary tattoos & hard hat stickers!**  
**1-800-633-0032**      **Order today online at: [www.vibco.com/promotions.htm](http://www.vibco.com/promotions.htm)**      **1-800-633-0032**

# CHOOSE YOUR VIBCO **BERTHA** VIBRATOR

# INSTALLING YOUR VIBCO VIBRATOR

**AVERAGE  
INSTALL  
TIME IS  
LESS THAN  
4 HOURS**

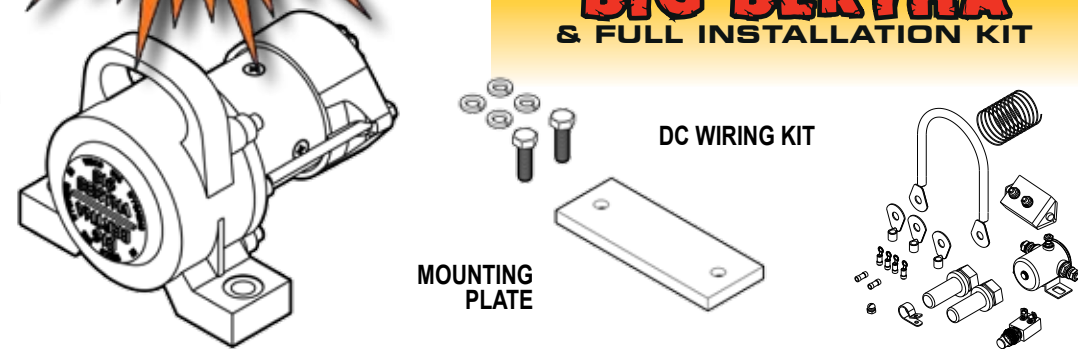
CUBIC YARDAGE	BODY LENGTH (FT)	<b>BIG BERTHA</b>	<b>AIR BERTHA</b>	<b>HYDRA BERTHA</b>
2 - 8	10 - 12	DC-3500-1500	55-2	HLF-1750
5 - 10	13 - 14	DC-3500-2500	55-2	HLF-1750
8 - 16	15 - 16	DC-3500-2700	55-3	HLF-3500
15 - 30	17 - 40	DC-3500	55-3	HLF-3500

## OPTIONAL ACCESSORIES

OPTION	<b>BIG BERTHA</b>	<b>AIR BERTHA</b>	<b>HYDRA BERTHA</b>
Big Bertha Bonnet, protects unit when power washing	✓		✓
Alternative 4 bolt foot pattern for easy cross-over of competitive models	✓		✓
Force adjusted eccentrics to work best with your dumpbody dimensions & yardage capacity.	✓		✓
Variable cable/wire lengths to accommodate truck size or for interior/exterior switch applications, trailer lengths.	✓	✓	✓
Complete mounting and wiring/plumbing kit optional.		✓	✓
A variety of mounting plate & channel iron combinations: flat, extra long, extra wide or customized for your truck.	✓	✓	✓
Aluminum mounting plates available for aluminum bodies (order unit DC-3500AL & plate part #1500PF38AL).	✓	✓	✓
No weld, bolt-on installation bracket for aluminum bodies (Part #93052).	✓		✓
Optional remote control unit.	✓	✓	
Timing sequencers, fixed and adjustable	✓		
Custom fleet colors for larger orders.	✓	✓	✓

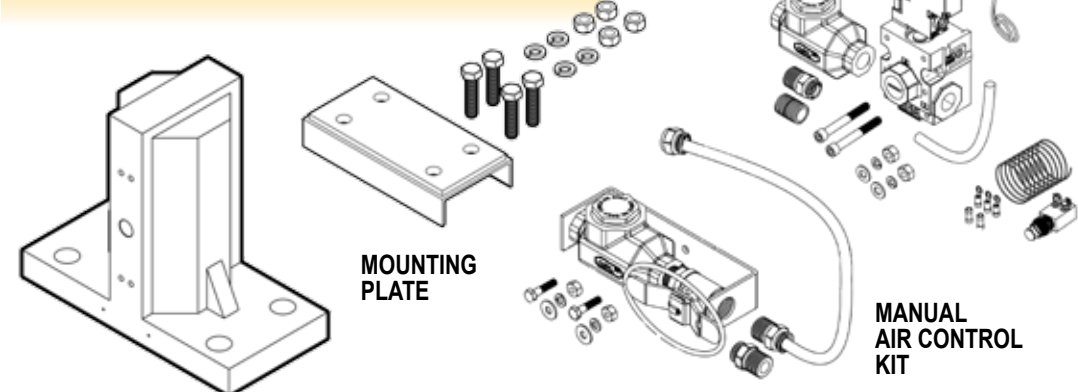
**Call Us Today at 1-800-633-0032**

### **BIG BERTHA** & FULL INSTALLATION KIT



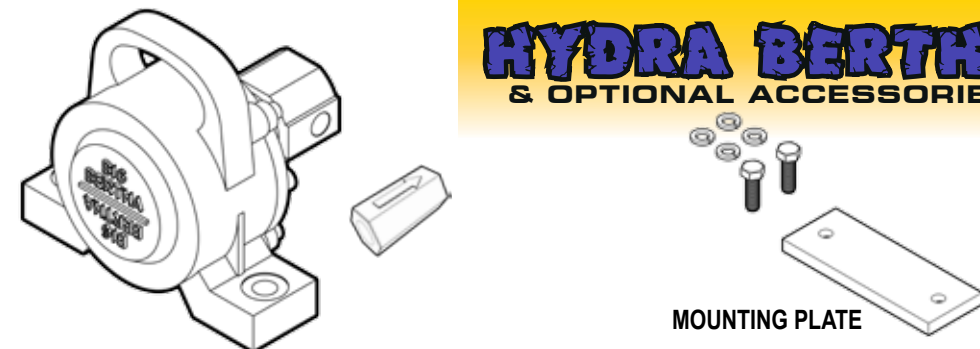
**ACCESSORIES INCLUDED:** 34' 4AWG cable (other lengths available) | Steel Mounting Plate | Bolts | Flat Washers | Lock Washers | Push Button switch | 12VDC Solenoid Valve | Circuit Breaker | Ring Terminals

### **AIR BERTHA** & OPTIONAL ACCESSORIES



**OPTIONAL ACCESSORIES AVAILABLE:**  
40' DOT Grade Polyethylene Flexloc Hose & Fittings | Steel Mounting Plate | Lubricator | Bolts | Flat Washers | Lock Washers & your choice of **ELECTRIC KIT:** Push Button Switch | 12VDC Solenoid Valve | 20' 16 Gauge Wire | Ring Terminals or **MANUAL KIT:** Quick Acting Manual Valve | Pipe Clamp

### **HYDRA BERTHA** & OPTIONAL ACCESSORIES



**OPTIONAL ACCESSORIES AVAILABLE:** Steel Mounting Plate | Bolts | Flat Washers | Lock Washers | Additional Hydraulic Accessories Available Separately from VIBCO



**Rob H., Syracuse, NY**  
"My shop guys could NOT believe how easy it was to install the Big Bertha vibrator on my truck! Having everything included with it along with the instructions was a huge plus. They were done in no time."



**VIBCO's BIG BERTHA**  
Mounting and Power Kit is included with the vibrator and comes complete with everything you need

# BIG BERTHA

Call Us Today  
1-800-633-0032

## DUMPBODY VIBRATORS BY VIBCO



### DON'T LEAVE YOUR PROFITS STUCK IN THE TRUCK!

Moves even the toughest materials -- clay, wet loam, concrete, HOT ASPHALT -- so you don't have to!

## FEATURES BENEFITS

Produces powerful vibration on dumpbody.	Removes even the toughest, stickiest material fast.
Helps you dump faster and cleaner.	Make more runs in a day and make more money
Allows you to dump at lower angles.	Safety - reduced rollover risk. Productivity - dump in height restricted sites.
Reduces clean out time with no residue left in body.	Eliminate cross-contamination of products. Eliminate inspection fines.
Increases daily payloads.	<b>MAKE MORE MONEY!</b>



### DON'T LEAVE YOUR PROFITS IN YOUR TRUCK

- An idling diesel vehicle burns one gallon of fuel every hour.
- Idling trucks collectively burn away 1.2 billion gallons of diesel fuel annually at a cost of more than one trillion dollars.
- A truck idling for one hour suffers wear and tear equivalent to being driven seven miles. (ATA Technology and Maintenance Council)
- Operating life of engine oil is reduced by 75 percent due to prolonged idling – from 600 engine hours to 150 engine hours.

Get FREE VIBCO catalogs on all of our Concrete & Construction products!



#### SandBuster DC Vibrators

- SandBuster salt & sand spreader hopper vibrators
- 6 models available to work with every spreader model
- 20 - 3500 lbs of force



#### Plate Compactors & Rollers

- 12" to 24" plates
- Reversible & single directional plates
- Rollers 12" & 36" sizes
- Electric or gas powered



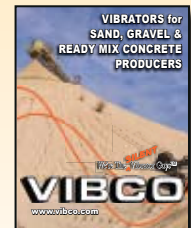
#### External Concrete Vibrators

- How-to Booklet
- 71 Application Photos
- Selection & Placement Guide



#### Internal Concrete Vibrators

- Electric 1 1/8" to 2 1/2" heads
- Pneumatic 1 3/8" to 3" heads
- Interchangeable heads & shafts



#### Sand & Gravel Vibrators

- How-To Booklet
- 60 Application Photos
- Selection & Sizing Guide
- Pneumatic, Electric & Hydraulic Vibrators



We're The Vibrator Guys.™

[www.dumpbodyvibrators.com](http://www.dumpbodyvibrators.com)

**HQ & FACTORY:**  
75 Stilson Road, P.O. Box 8  
Wyoming, RI 02898

**Email:** [vibrators@vibco.com](mailto:vibrators@vibco.com)  
**Phone:** 401-539-2392  
800-633-0032  
**Fax:** 401-539-2584

**CANADA**  
2215 Dunwin Drive  
Mississauga, ON L5L 1X1

**Email:** [vibrators@vibco.com](mailto:vibrators@vibco.com)  
**Phone:** 905-828-4191  
800-465-9709  
**Fax:** 905-828-5015

**Plus Field Offices**  
Mid-Atlantic Region,  
Southeast Region  
Western Region

**Email:** [vibrators@vibco.com](mailto:vibrators@vibco.com)  
**Phone:** 800-633-0032